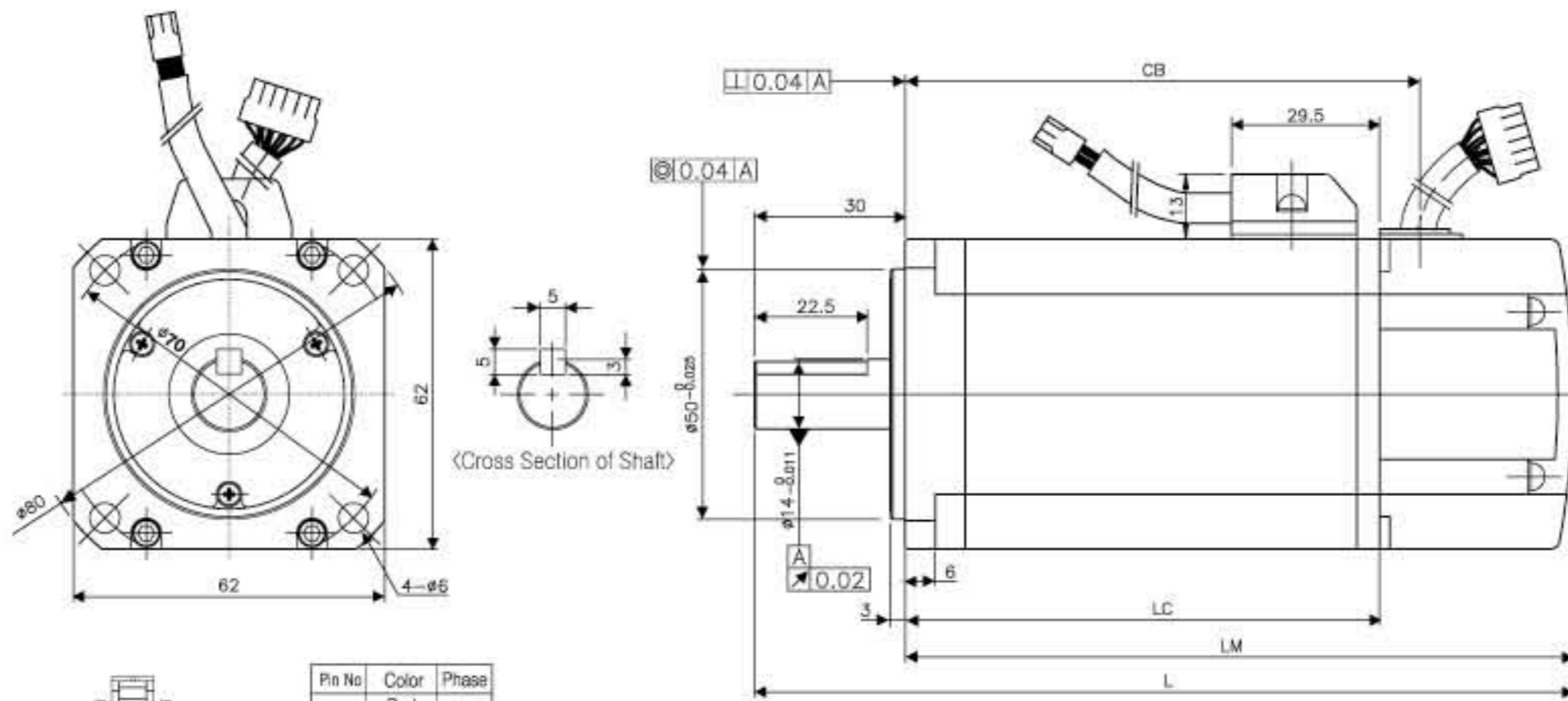
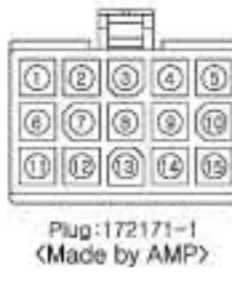


Standard Type **APM-SB01A, APM-SB02A, APM-SB04A**



Pin No	Color	Phase
1	Red	U
2	White	V
3	Black	W
4	Green	Ground

<Connector Pin for Power Supply>



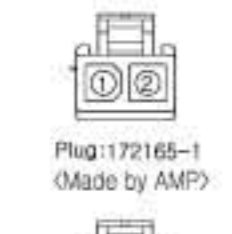
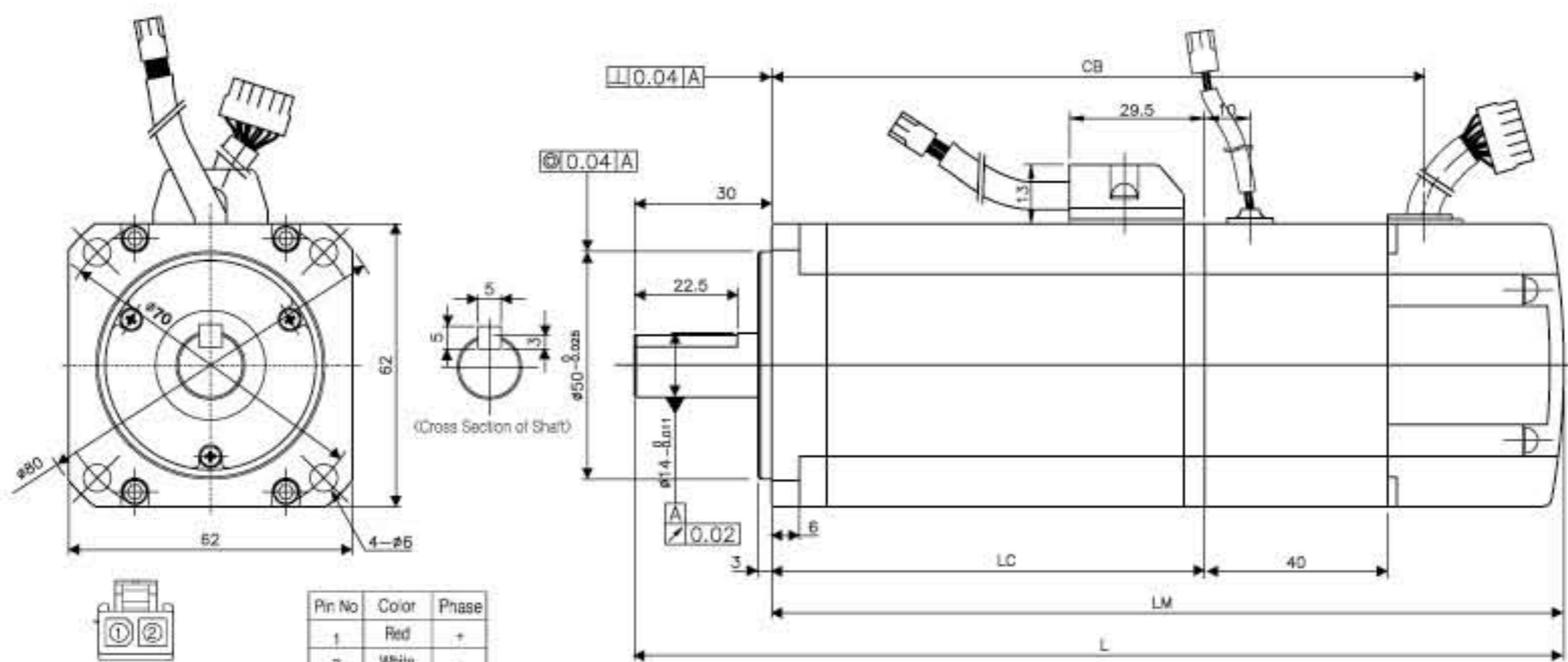
Pin No	Phase	Pin No	Phase
1	A	9	V
2	X	10	V
3	B	11	W
4	B	12	W
5	Z	13	DC +5V
6	Z	14	0V
7	U	15	SHIELD
8	U		

<Encoder Connector Pin>

Model	External Dimension				Weight (kg)
	L	LM	LC	CB	
SB01A	120.5	90.5	52.5	60.5	0.84
SB02A	134.5	104.5	66.5	74.5	1.11
SB04A	162.5	132.5	94.5	102.5	1.64

⚠ Note1) Use DC 24V for brake input power supply.  
 Note2) In case that Abs.2048 P/R Encoder is attached, it becomes longer by 10mm.

Brake-attached Type **APM-SB01A, APM-SB02A, APM-SB04A**



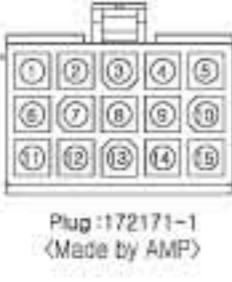
Pin No	Color	Phase
1	Red	+
2	White	-

<Brake Connector Pin>



Pin No	Color	Phase
1	Red	U
2	White	V
3	Black	W
4	Green	Ground

<Connector Pin for Power Supply>



Pin No	Phase	Pin No	Phase
1	A	9	V
2	X	10	V
3	B	11	W
4	B	12	W
5	Z	13	DC +5V
6	Z	14	0V
7	U	15	SHIELD
8	U		

<Encoder Connector Pin>

Model	External Dimension				Weight (kg)
	L	LM	LC	CB	
SB01A	160.5	130.5	52.5	100.5	1.21
SB02A	174.5	144.5	66.5	114.5	1.49
SB04A	202.5	172.5	94.5	142.5	2.05

⚠ Note1) Use DC 24V for brake input power supply.  
 Note2) In case that Abs.2048 P/R Encoder is attached, it becomes longer by 10mm.